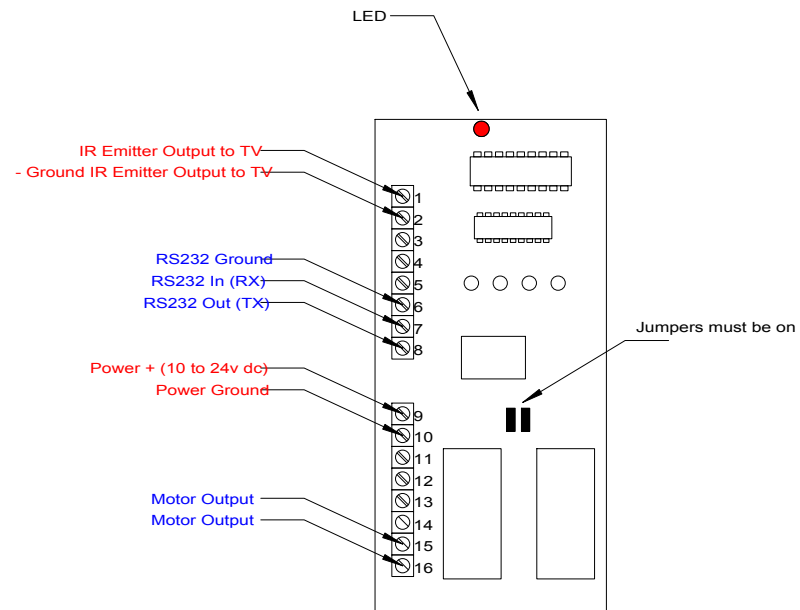


RS232 Protocol

9600 Baud
8 Data Bits
No Parity
1 Stop Bit

UP VAup
DOWN VAdn

VA-Ai1 Controller RS232



Baud Rate 9600 8,N,1
 "VAup" will rise the Art and turn the TV on.
 "VAdn" will lower the Art and turn the TV off.
 You must include CR at the end. Hex 0D or DEC 13.
 When the UP or DOWN command is received,
 it will send back a VA up or VA dn.